

# C-720-S EcoDesign PANADERO



## MEASURES

DIMENSIONS H x W x D	623x700x574 mm
GROSS/NET WEIGHT	95/85 kg
FIREWOOD ENTRANCE	500x311 mm
SMOKE FLUE	Ø 150-153 mm
	Top

## CHARACTERISTICS

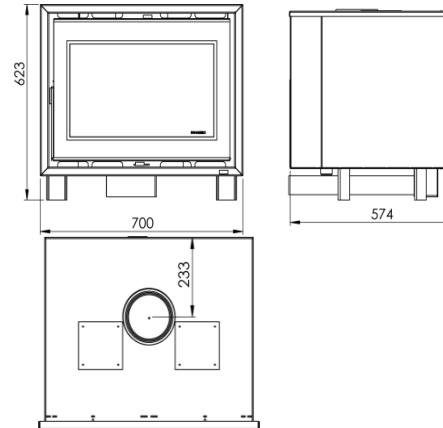
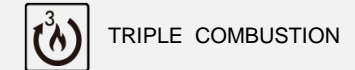
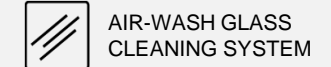
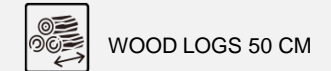
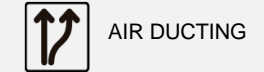
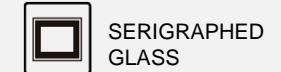
CAST IRON GRILL	
PANORAMIC VISION	
NOMINAL HEAT OUTPUT	7 KW
EFFICIENCY	81 %
CO EMISSIONS	0,09 %
HEAT RESISTANT PAINT	800°C
VITRO-CERAMIC GLASS RESISTANCE	750°C

EAN 8426964190601  
REF. PANADERO 19060

## PLUS PRODUCT

### ECODESIGN 2022

#### HERMETIC



**BImSchV2**



C-720-S